

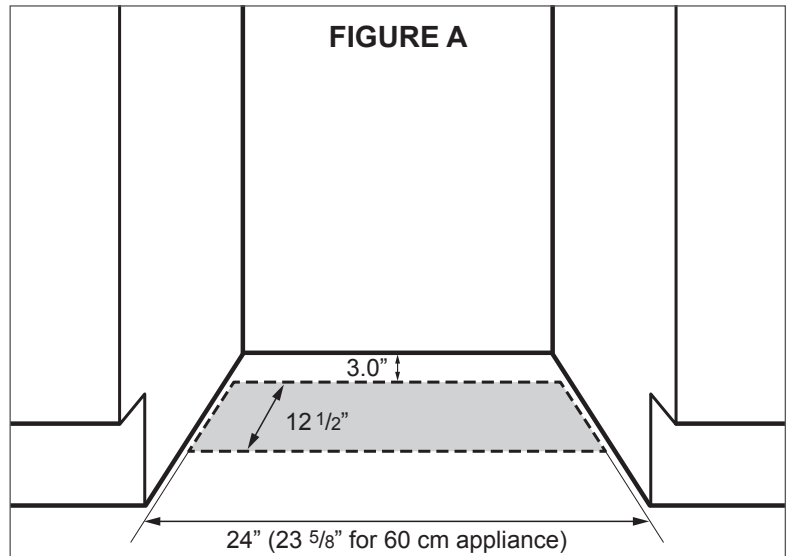
UCDP24 Installation

Flooring/Floor Prep

- A space 12-1/2" x 24" (23-5/8 for 60cm dishwashers) must be allowed for in the flooring material. This space is to be 3" from the wall or back panel of the island. Please make appropriate adjustments if the cabinets or any other trim are installed/built/pulled off of the wall. (FIGURE A)

- The 12-1/2" x 24" space can be planned during the floor material installation or can be cut if the floor material is previously installed.

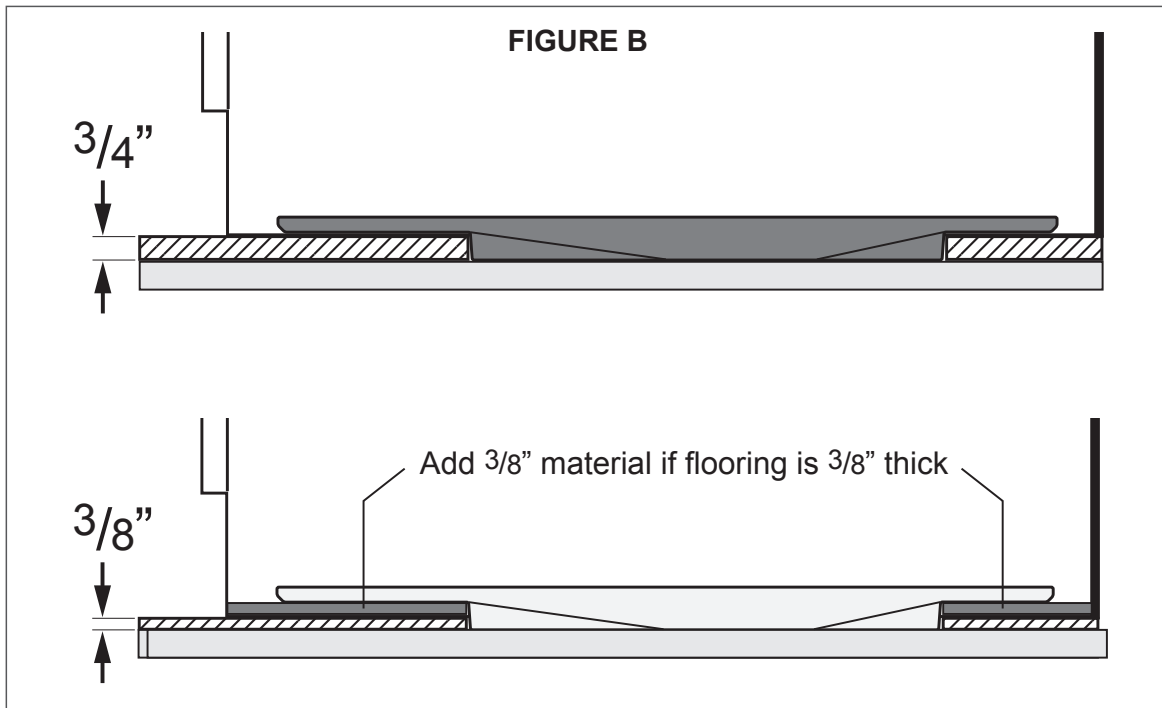
- The intent is for the subfloor to remain installed if floor material is removed.



- The UCDP24 Drain Pan is designed for 3/4 inch floor material thickness, but accommodations can be made to work with most floor material thickness.

- If the flooring material is 3/8" thick, then the installer must build up the UCDP24 Kit an additional 3/8" (FIGURE B)

- If sub-flooring must be removed, it is advised to replace the open space with an appropriate sub-flooring material.



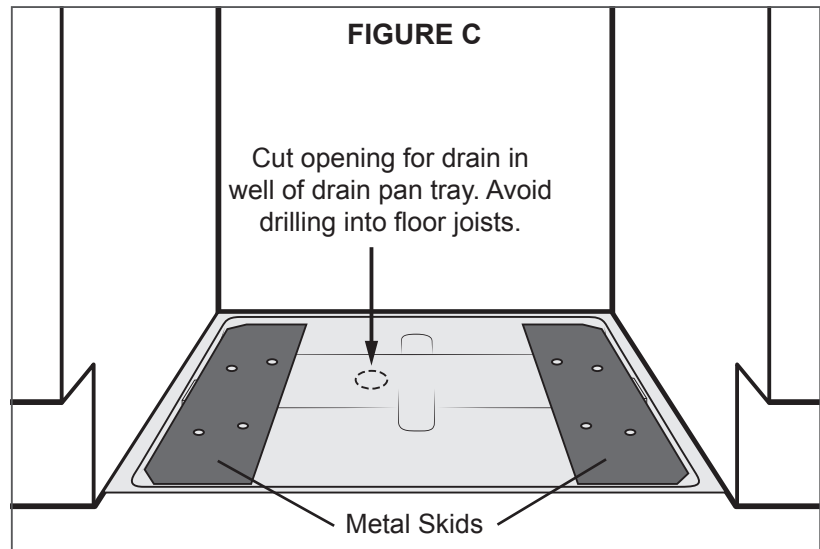
Kit Installation

- Put tray into appliance opening to ensure that the tray relates to the floor material cutout/void and adjacent cabinets and/or walls.
- Armory Products recommends adhering heavy duty Velcro to the bottom of the tray at the front and back for additional security in preparation of the appliance installation.
- Examine/Evaluate floor framing to determine the best location for the drain fitting (included in kit)
- The drain fitting is to be installed in the lowest portion (well) of the drain pan tray

- Make 1-3/8" - 1-1/2" hole for drain fitting in tray and in floor, taking care to avoid floor joists. **(FIGURE C)**

- Put drain pan tray into opening and ensure that hole in tray and floor line up.

- Install drain fitting. Rubber seal should be against bottom of pan and nut should be on underside of subfloor. Drain fitting allows for 3/4" threaded connections.



- Armory Products recommends adhering metal duct tape to the edges next to the cabinets and walls to provide additional protection against water/moisture damage to adjacent products.

Appliance Installation

- Take metal beams/skids and place them on the left and right side of the drain pan tray as shown in **FIGURE C**
- Align the appliance into the opening and ensure that the appliance legs line up with the UC DP24 beams/skids
- Make necessary preparations/mechanical connections
- Slide into final installation position
- Make mechanical connections, secure unit according to appliance manufacturer's instructions.
- The installer should ensure that a water leak captured by the kit is directed to the exterior of the structure or to a plumbing waste line in accordance to local plumbing codes.

